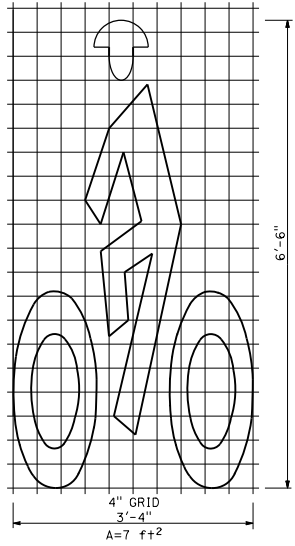
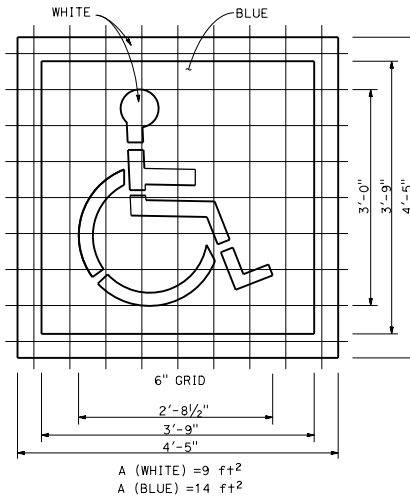


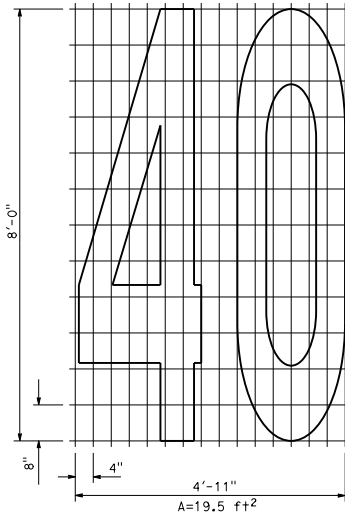
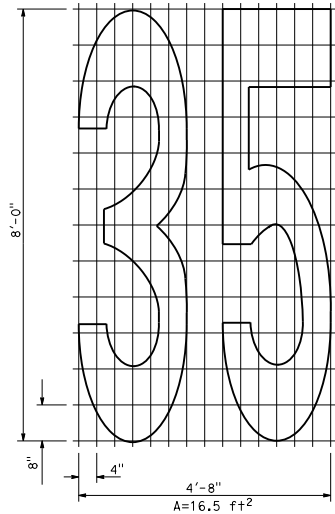
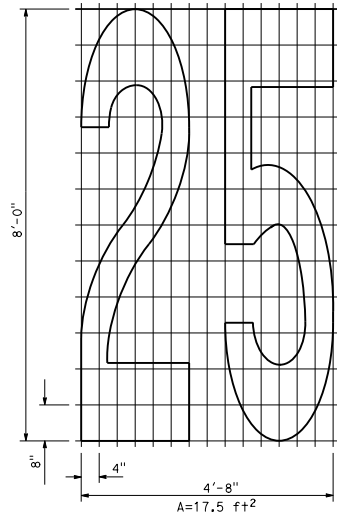
**BIKE LANE SYMBOL
WITHOUT PERSON**



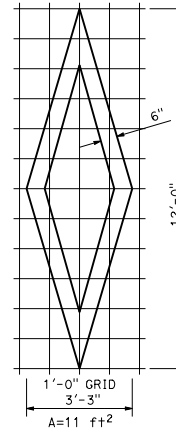
**BIKE LANE SYMBOL
WITH PERSON**



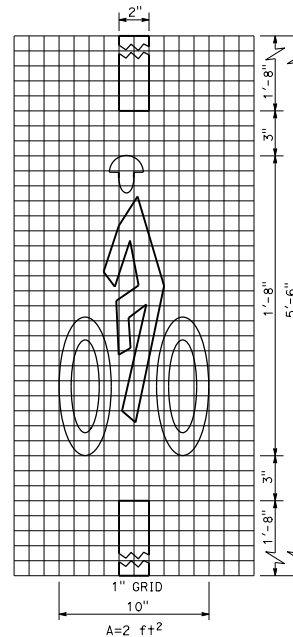
**INTERNATIONAL SYMBOL
OF ACCESSIBILITY (ISA) MARKING**



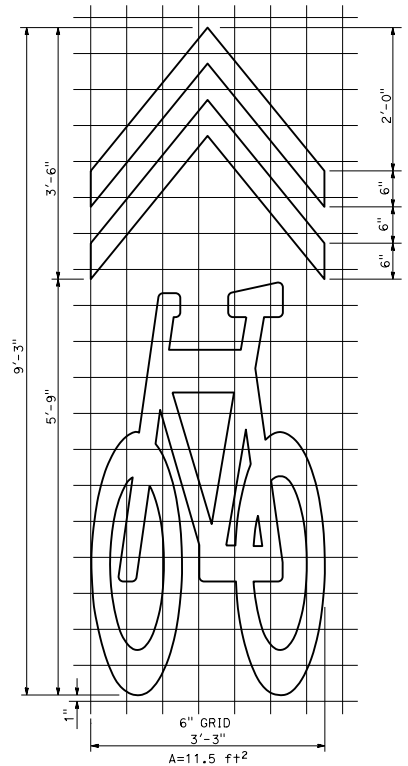
NUMERALS



DIAMOND SYMBOL



**BIKE LOOP
DETECTOR SYMBOL**



SHARED ROADWAY BICYCLE MARKING

Dist	COUNTY	ROUTE	POST MILES TOTAL PROJECT	SHEET NO.	TOTAL SHEETS

Atifa Ferouz
REGISTERED CIVIL ENGINEER

May 31, 2018
PLANS APPROVAL DATE

Atifa Ferouz
No. C80402
Exp. 3-31-19
CIVIL
STATE OF CALIFORNIA

REGISTERED PROFESSIONAL ENGINEER

THE STATE OF CALIFORNIA OR ITS OFFICERS OR AGENTS SHALL NOT BE RESPONSIBLE FOR THE ACCURACY OR COMPLETENESS OF SCANNED COPIES OF THIS PLAN SHEET.

NOTE:

Minor variations in dimensions may be accepted by the Engineer.

STATE OF CALIFORNIA
DEPARTMENT OF TRANSPORTATION
**PAVEMENT MARKINGS
SYMBOLS AND NUMERALS**

NO SCALE

A 24C