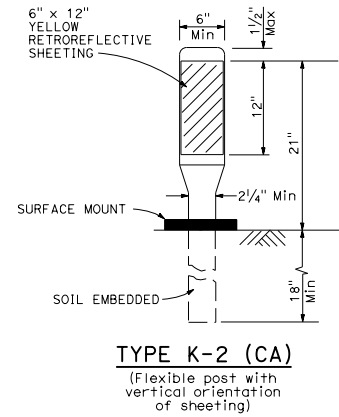
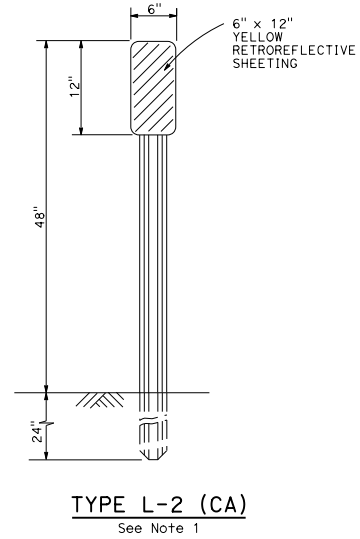
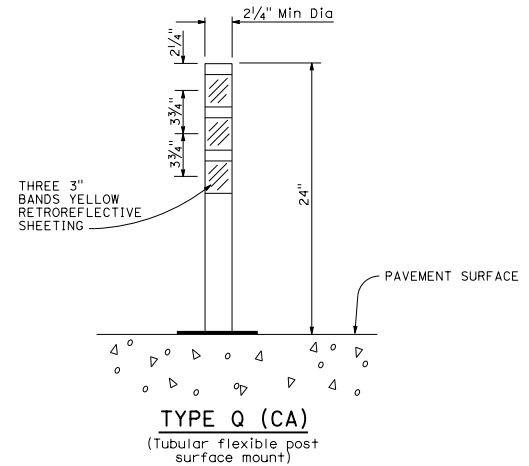
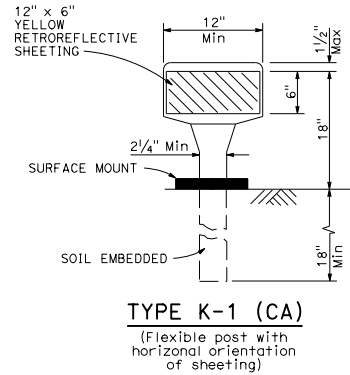
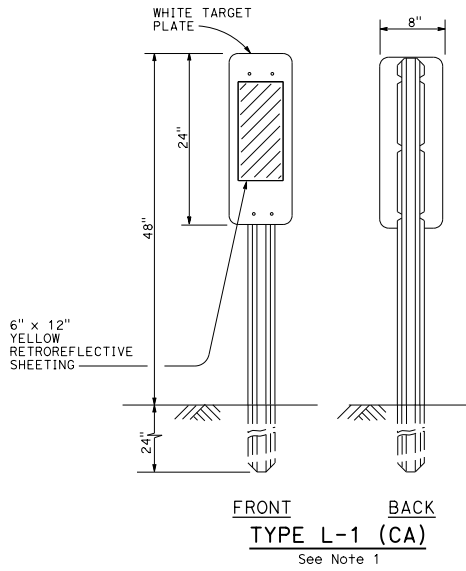


DIST	COUNTY	ROUTE	POST MILES TOTAL PROJECT	SHEET NO.	TOTAL SHEETS

Donald E. Howe
 REGISTERED CIVIL ENGINEER
 No. C46402
 Exp. 3-31-19
 CIVIL
 STATE OF CALIFORNIA

May 31, 2018
 PLANS APPROVAL DATE
 THE STATE OF CALIFORNIA OR ITS OFFICERS OR AGENTS SHALL NOT BE RESPONSIBLE FOR THE ACCURACY OR COMPLETENESS OF SCANNED COPIES OF THIS PLAN SHEET.



NOTE:
 1. See Standard Plan A73B for metal post details and additional markers.

STATE OF CALIFORNIA
 DEPARTMENT OF TRANSPORTATION
OBJECT MARKERS
 NO SCALE

A73A