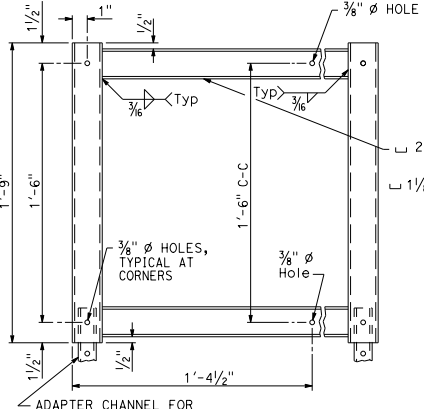
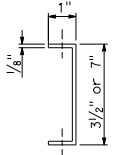


PLAN

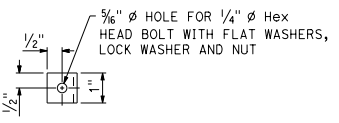


ELEVATION

GALVANIZED STEEL FRAME

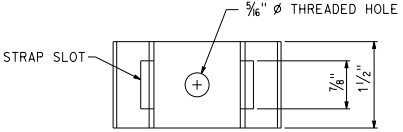


PLAN

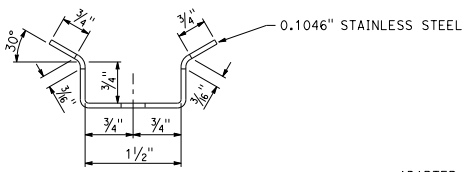


ELEVATION

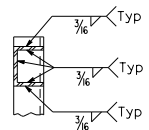
SPECIAL BRACKET



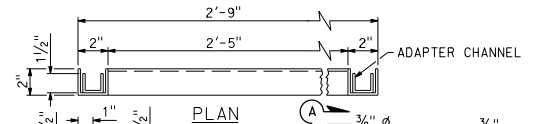
STRAP SLOT



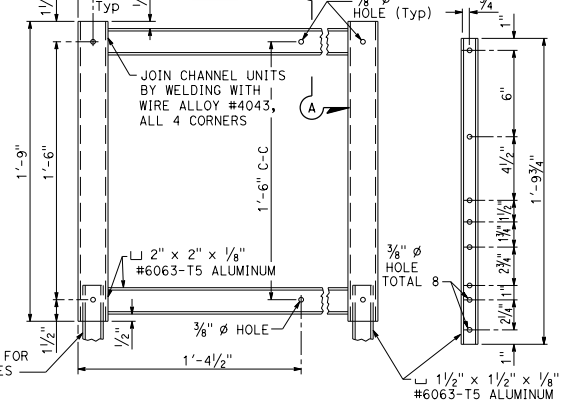
SADDLE BRACKET



SECTION A-A

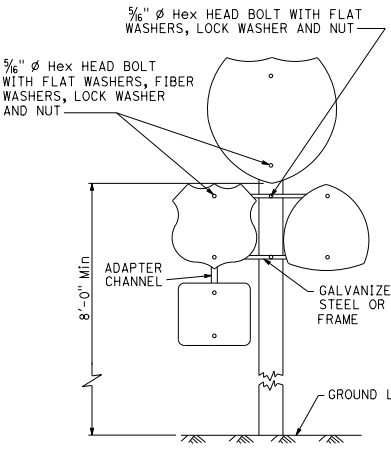


PLAN



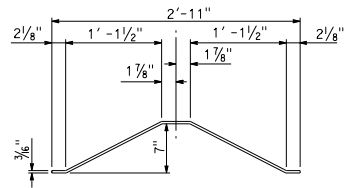
ELEVATION

ALUMINUM FRAME

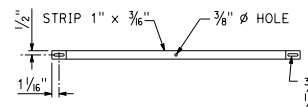


ELEVATION

MULTIPLE SIGN INSTALLATION

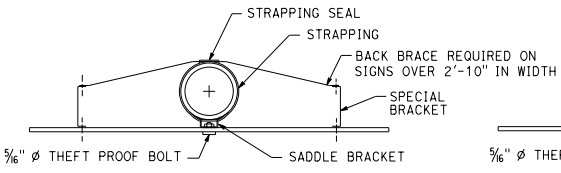


PLAN

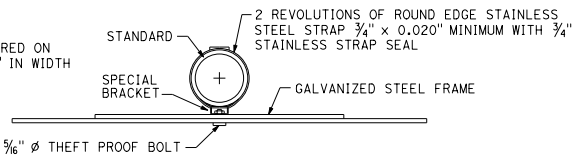


ELEVATION

BACK BRACE DETAILS



SINGLE SIGN



MULTIPLE SIGN

INSTALLATION ON ELECTROLIER, SIGNAL STANDARD OR SIGN STRUCTURE POST

DIST	COUNTY	ROUTE	POST MILES TOTAL PROJECT	SHEET No.	TOTAL SHEETS

Stanley P. Johnson
 REGISTERED CIVIL ENGINEER
 No. C5735
 Exp. 3-31-20
 CIVIL
 STATE OF CALIFORNIA

May 31, 2018
 PLANS APPROVAL DATE
 THE STATE OF CALIFORNIA OR ITS OFFICERS OR AGENTS SHALL NOT BE RESPONSIBLE FOR THE ACCURACY OR COMPLETENESS OF SCANNED COPIES OF THIS PLAN SHEET.

STATE OF CALIFORNIA
 DEPARTMENT OF TRANSPORTATION
ROADSIDE SIGNS
TYPICAL INSTALLATION
DETAILS No. 4
 NO SCALE

RS4